



Kickstand / Pole Mount Installation Instructions

Description

The Kickstand / Pole Mount attaches to the bottom of FreePlay™, replacing the battery compartment cover. It allows you to either: (1) angle it back 45° or (2) set it on top of a standard speaker tripod.

Kickstand / Pole Mount (Part No. 2043890-00) contents:

Part No.	Quantity	Description
2043890-00	1	Kickstand / Pole Mount
2045708	1	Printed Instruction Sheet

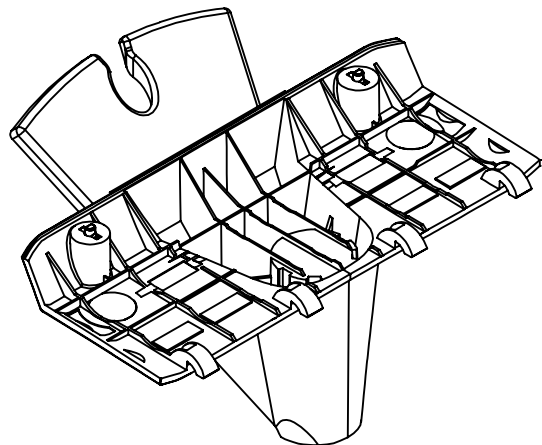
Required Tools (not included):

Flathead screwdriver

Safety First!

Before installing and using this product, please read these instructions carefully and keep them on hand for future reference. Failure to follow the precautions may result in damage, injury, or even death.

! WARNING: When installing this product, always respect the safety standard. Do not install the product in any way that is not described in these instructions.



LOUD Technologies Inc. • 16220 Wood-Red Road NE
Woodinville • WA • 98072 • 800/258-6883
Outside the U.S. call 425/487-4333 • FAX 425/487-4337

Disclaimer:

LOUD Technologies Inc. continually engages in research related to product improvement. New material, production methods, and design refinements are introduced into existing products without notice as a routine expression of that philosophy. For this reason, any current LOUD Technologies Inc. product may differ in some respect from its published description, but will always equal or exceed the original design specifications unless otherwise stated.

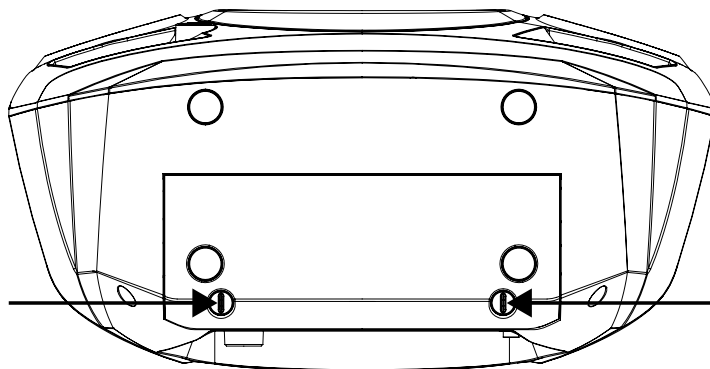
Part No. SW1103 Rev A 03/15

© 2015 LOUD Technologies Inc. All Rights Reserved.

Battery Cover Removal

In order to attach the Kickstand / Pole Mount, the battery cover must be removed first.

1. Using a flathead screwdriver, rotate the two locking tabs counter-clockwise until they unlock and “pop” up.



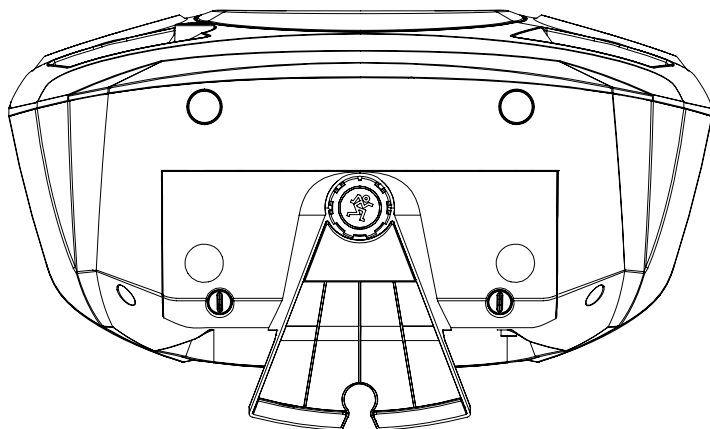
2. Remove the battery compartment cover and save it somewhere safe! You might need to use again.

Installation

Once the battery cover has been removed and set aside, it’s time to attach the Kickstand / Pole Mount.

1. Set the Kickstand / Pole Mount in the same place from where the battery cover was removed.

NOTE: Make sure the four latches of the Kickstand / Pole Mount line up (and hook into) the four holes of the FreePlay.



2. While holding the Kickstand / Pole Mount down, lock it to the FreePlay by rotating the two locking tabs clockwise until they lock into place.